

Dieselytic SX/SXC™ Exhaust Gas Purifiers

**CATALYTIC
EXHAUST**
PRODUCTS LTD.



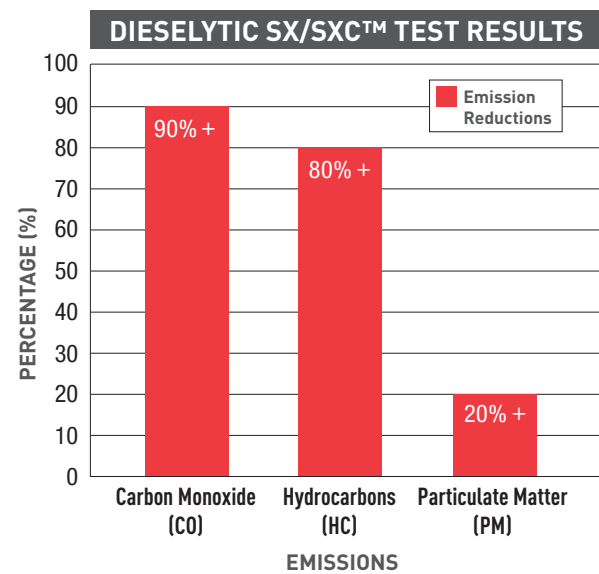
**CATALYTIC PURIFIERS FOR CONTROL OF DIESEL EXHAUST
GASES, VAPORS AND SMOKE**

Why Choose Catalytic Exhaust?

- Fastest lead times in the industry
- Diesel exhaust purifier scrubbers and scrubber mufflers are in stock ready to ship
- Low exhaust restrictions
- Easy installation
- Competitive pricing
- Proven technology for over 25 years in the emission control industry
- Tortuous core design is superior in reducing harmful pollutants up to 90 percent
- Available for all makes and models of diesel equipment

The Cause

During engine operation a number of harmful pollutants are produced in various quantities in the combustion chambers of every diesel engine. Diesel exhaust typically contains the following harmful pollutants such as: Carbon Monoxide (CO), Hydrocarbons (HC), and Particulate Matter (PM). These pollutants will cause irritated eyes, nose and throat, headaches, drowsiness, loss of consciousness and possibly death.



PLAIN STYLE PURIFIER



EXHAUST PURIFIER SCRUBBER MUFFLER



ASSORTMENT OF DIESEL SUBSTRATES



The Practical Solution

The Dieselytic SX/SXC™ catalytic exhaust purifier scrubber will effectively reduce dangerous concentrations of harmful Carbon Monoxide, Hydrocarbons and Particulate Matter. The exhaust purifier scrubber is specifically designed for any off-road mining, tunneling and construction equipment. With leading edge catalyst technology we are able to improve workplace health and safety in providing the lowest emission levels to comply with your local regulations.

Solutions Available:

A) Clamp-On Style

- Quick release clamps for removal of core (optional)
- Available in a variety of different exhaust O.D. pipe sizes
- Quick installation with minimal machine downtime
- Compatible with all makes and model of diesel equipment
- Economically priced
- Equipment is certified for indoor use

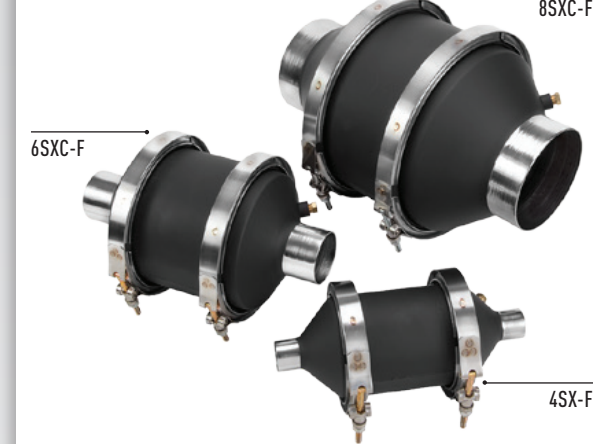
B) Exhaust Purifier Scrubber Muffler

- Direct fit replacement to OEM muffler
- In stock or shipped next day
- Equipment is certified for indoor use
- Available for all makes and models of diesel equipment such as Bobcat, Caterpillar, John Deere, JLG and Takeuchi
- Direct fit mufflers offered in Stainless Steel, and Mild Steel

C) Muffler Modification

The OEM purifier muffler modification is an internal modification of the stock OEM muffler. Simply remove the stock OEM muffler and ship the muffler to our plant location. A diesel oxidation catalytic core will be added to the muffler internally. The modification will not alter the outside dimensions of the stock OEM muffler. This option is quick and very affordable with minimal machine downtime.

CLAMPED STYLE



EXHAUST PURIFIER SCRUBBER MUFFLER



MUFFLER MODIFICATION

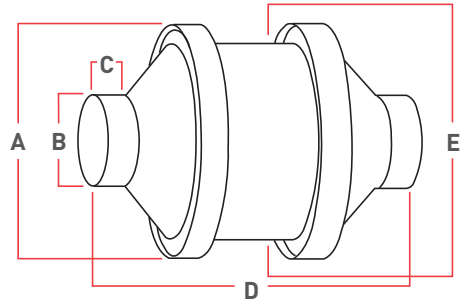


Dieselytic SX/SXC™ Purifier Application and Sizing Data

Purifier Configurations:

Clamped style configuration (SX-F)

Plain style configuration (SX-P)



MODEL	ENGINE DISPLACEMENT		EXHAUST FLOW @ 2100rpm – 900° F		PURIFIER DIMENSIONS*				
	HORSE-POWER RANGES	LITRES	ACFM	M ³ /MIN	A	B**	C	D	E
3SX	1-10 HP	0-1.25	100	2.9	2.6" (66)	1.5" (38)	.75" (19)	7.5" (191)	2.6" (66)
4SX	11-30 HP	1.25-2.5	200	5.7	4.6" (117)	2.0" (51) 2.5" (64)	1.0" (25.4)	9.0" (229)	3.6" (91)
5SX	31-56 HP	2.5-4.1	320	9.1	5.6" (142)	2.0" (51) 2.5" (64) 3.0" (76)	1.0" (25.4)	9.5" (241)	4.6" (117)
6SXC	57-90 HP	4.1-6.5	500	14.2	6.6" (168)	2.5" (64) 3.0" (76) 3.5" (89) 4.0" (102)	1.0" (25.4)	10.5" (267)	5.6" (142)
7SXC	91-130 HP	6.5-9.8	750	21.2	7.6" (193)	3.0" (76) 3.5" (89) 4.0" (102)	1.0" (25.4)	11" (279)	6.6" (168)
8SXC	131-190 HP	9.8-13.1	1000	28.3	8.6" (218)	3.0" (76) 3.5" (89) 4.0" (102) 4.5" (114) 5.0" (127) 6.0" (152)	1.25" (32)	12.5" (318)	7.6" (193)
10SXC	191-265 HP	13.1-19.7	1500	42.5	8.8" (224)	4.0" (102) 4.5" (114) 5.0" (127) 6.0" (152)	1.25" (32)	18" (457)	10.0" (254)
12SXC	266-335 HP	19.7-26.2	2100	59.5	8.8" (224)	4.0" (102) 4.5" (114) 5.0" (127) 6.0" (152)	1.25" (32)	18" (457)	11.6" (295)
14SXC	336-450 HP	26.2-32.8	2700	76.5	8.8" (224)	5.0" (127) 6.0" (152)	1.25" (32)	20.8" (528)	13.0" (330)
16SXC	451-640 HP	32.8-50.8	4200	119	8.8" (224)	5.0" (127) 6.0" (152)	1.25" (32)	20.8" (528)	15.0" (381)

* All data subject to change without notice. Other inlet/outlet variations available. ** Other inlet/outlet I.D. sizes available. In addition we can supply O.D. standard tube sizes, metric I.D./O.D. tube sizes, national pipe thread, ASA flanges, custom flanges, etc...

PLAIN STYLE AND CLAMPED STYLE PURIFIERS



TOP LEFT: 4SX-P
BOTTOM RIGHT: 4SX-F



TOP LEFT: 6SXC-P
BOTTOM RIGHT: 6SXC-F



TOP LEFT: 8SXC-P
BOTTOM RIGHT: 8SXC-F

CONTACT US

TEL: 1.800.551.5525 • FAX: 905.799.9771

sales@catalyticexhaust.ca • www.catalyticexhaust.com

